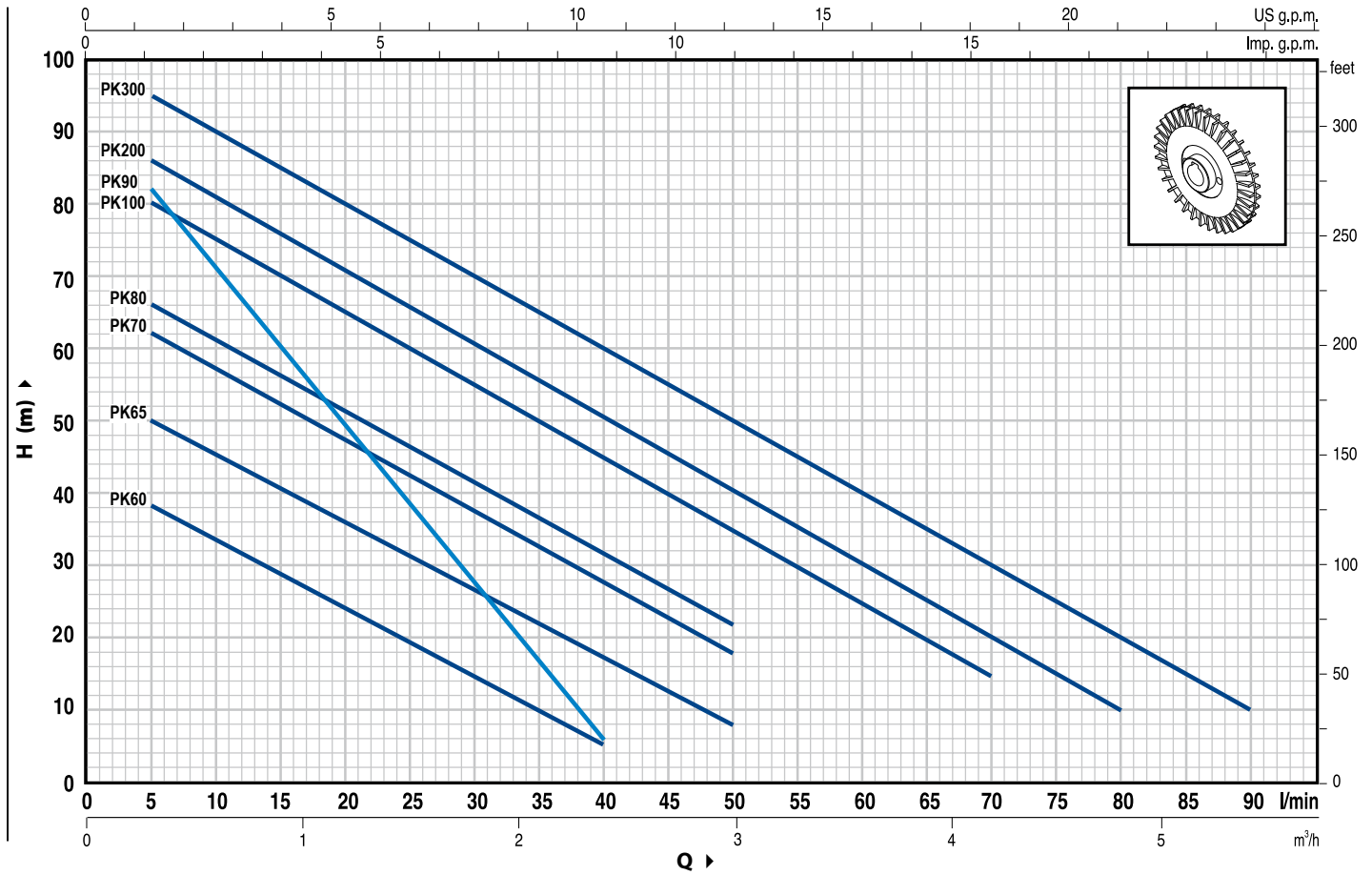


CURVE E DATI DI PRESTAZIONE / CURVES AND PERFORMANCE DATA

n= 2900 1/min

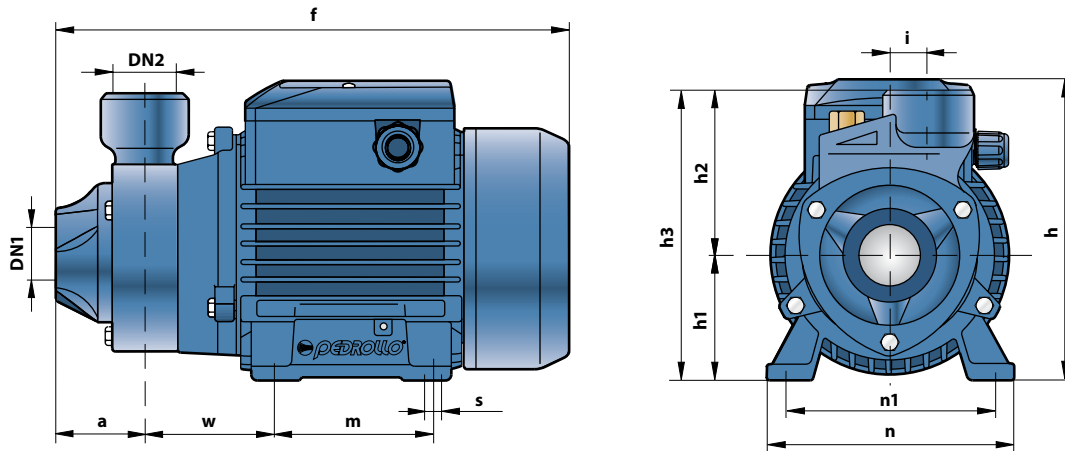


MODELLO TYPE		POTENZA POWER		Q	H (m)														
1 ~	3 ~	kW	HP		0	0.3	0.6	0.9	1.2	1.5	1.8	2.1	2.4	3.0	3.6	4.2	4.8	5.4	
				l/min	0	5	10	15	20	25	30	35	40	50	60	70	80	90	
PKm 60®	PK 60®	0.37	0.50	H (m)	40	38	33.5	29	24	19.5	15	10	5						
PKm 65	PK 65	0.50	0.70		55	50	45.5	40.5	36	31	27	22	17	8					
PKm 70	PK 70	0.60	0.85		65	62	57	52	47	42	37	32	27	18					
PKm 80	PK 80	0.75	1		70	66	61	56	51	46	41	36.5	31	22					
PKm 90	PK 90	0.75	1		90	82	71	60	49	38	27	17	5						
PKm 100	PK 100	1.1	1.5		85	80	75	70	65	60	55	50	45	35	25	15			
PKm 200	PK 200	1.5	2		90	86	81	76	71	65.5	60	55	50	40	30	20	10		
—	PK 300	2.2	3		100	95	90	85	80	75	70	65	60	50	40	30	20	10	

Q = Portata H = Prevalenza manometrica totale
Q = Flow rate H = Total manometric head

Tolleranza delle curve di prestazione secondo EN ISO 9906 App. A.
Tolerance of the performance curves according to EN ISO 9906 App. A.App. A.

DIMENSIONI E PESI / DIMENSIONS AND WEIGHTS



TIPO TYPE		BOCCH PORTS		DIMENSIONI mm DIMENSIONS mm												kg									
1~	3~	DN1	DN2	a	f	h	h1	h2	h3	i	m	n	n1	w	s	1~	3~								
PKm 60°	PK 60°	1"	1"	42	245	152	63	75	138	20	80	120	100	55	7	5.3	5.3								
PKm 65	PK 65							80	143									6.9	6.4						
PKm 70	PK 70			55	285	180	71	85	156		90	140	112	62		10.1	9.0								
PKm 80	PK 80							95	166		10.1	9.0													
PKm 90	PK 90	3/4"	3/4"	58	282	212	80	94	174	100	164	125	85	9	14.4	12.4									
PKm 100	PK 100	1"	1"	55	350												94	174	100	164	125	85	9	15.5	13.4
PKm 200	PK 200																15.5	13.4							
—	PK 300	—	—	—	—	—	—	—	—	—	—	—	—	—	—	—	15.6								

- Corpo pompa: ghisa
- Girante: ottone
- Lanterna: brevetto n° IT1243605
- Modello italiano registrato n° 72753
- PKm 60° marchio depositato

Consigliate per uso domestico

- Pump body: cast iron
- Impeller: brass
- Motor bracket: patented n° IT1243605
- Registered Italian Design n° 72753
- PKm 60° is a registered trade mark

Suitable for domestic applications