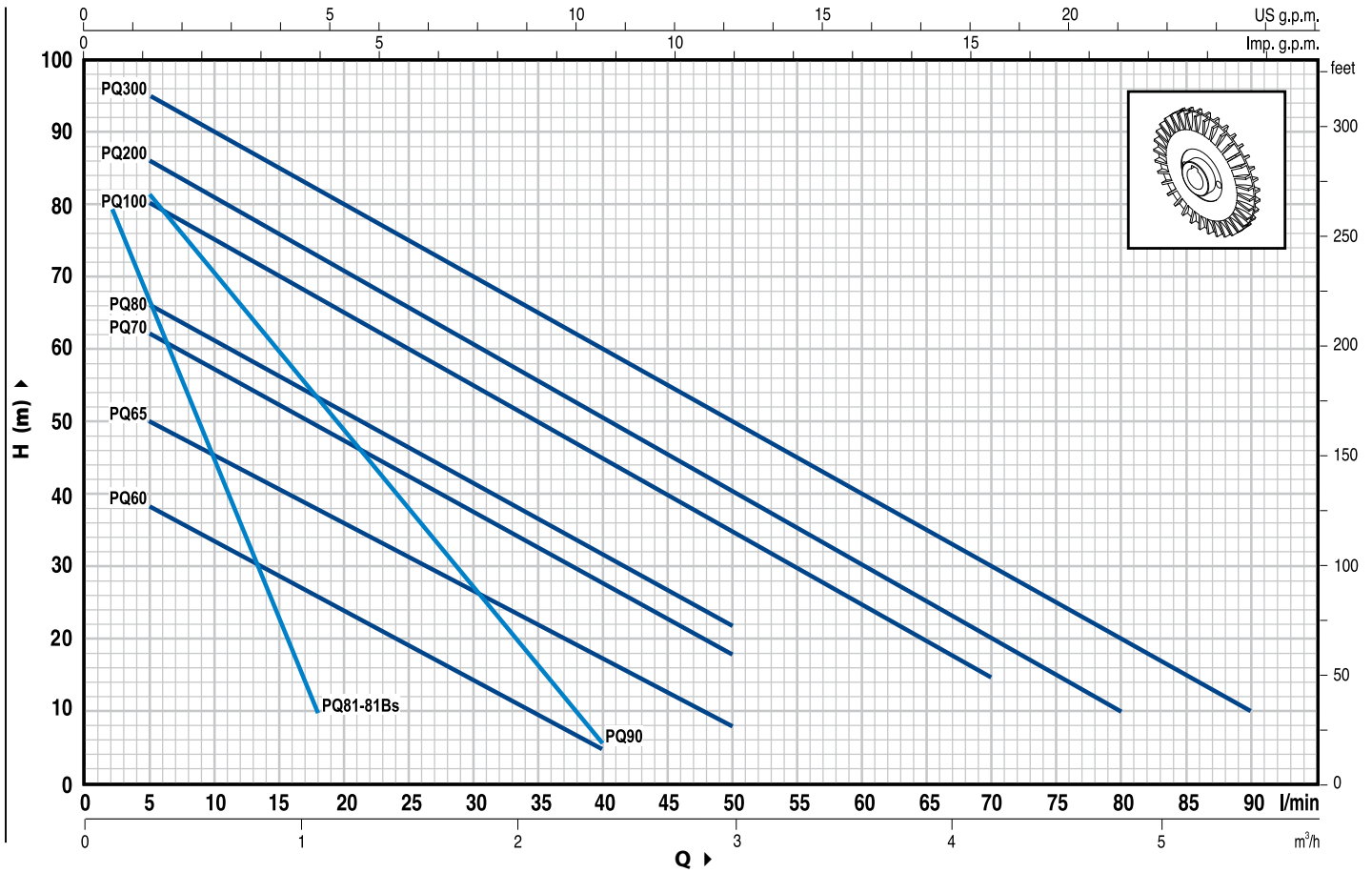


### CURVE E DATI DI PRESTAZIONE / CURVES AND PERFORMANCE DATA

**n= 2900 1/min**



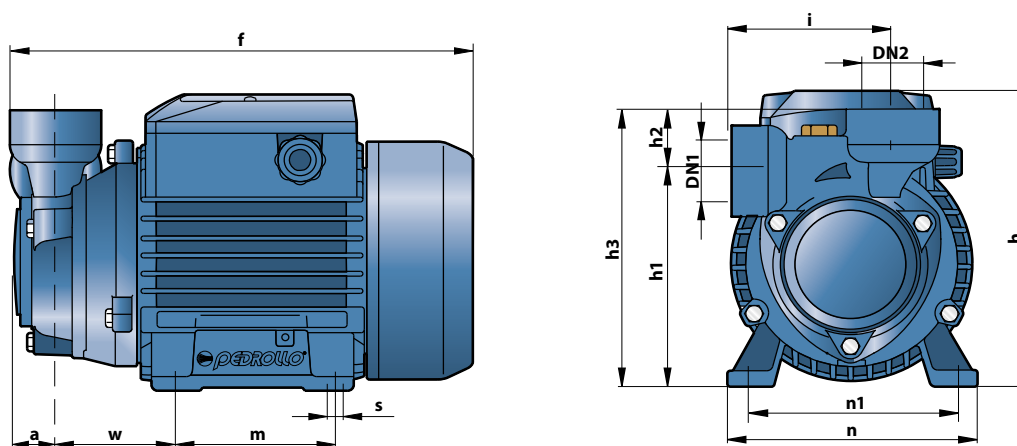
MODELLO TYPE		POTENZA POWER		Q	H (m)														
1 ~	3 ~	kW	HP		m³/h	0	0.3	0.6	0.9	1.2	1.5	1.8	2.1	2.4	3.0	3.6	4.2	4.8	5.4
				l/min	0	5	10	15	20	25	30	35	40	50	60	70	80	90	
PQm 60	PQ 60	0.37	0.50	H (m)	40	38	33.5	29	24	19.5	15	10	5						
PQm 65	PQ 65	0.50	0.70		55	50	45.5	40.5	36	31	27	22	17	8					
PQm 70	PQ 70	0.60	0.85		65	62	57	52	47	42	37	32	27	18					
PQm 80	PQ 80	0.75	1		70	66	61	56	51	46	41	36.5	31	22					
PQm 90	PQ 90	0.75	1		90	82	71	60	49	38	27	17	5						
PQm 100	PQ 100	1.1	1.5		85	80	75	70	65	60	55	50	45	35	25	15			
PQm 200	PQ 200	1.5	2		90	86	81	76	71	65.5	60	55	50	40	30	20	10		
—	PQ 300	2.2	3		100	95	90	85	80	75	70	65	60	50	40	30	20	10	

MODELLO TYPE		POTENZA POWER		Q	H (m)										
1 ~	3 ~	kW	HP		m³/h	0	0.12	0.24	0.36	0.48	0.60	0.72	0.84	0.96	1.08
				l/min	0	2	4	6	8	10	12	14	16	18	
PQm 81	PQ 81	0.50	0.70	H (m)	90	80	71	63	54	45	37	28	19	10	
PQm 81-Bs	PQ 81-Bs	0.50	0.70		90	80	71	63	54	45	37	28	19	10	

Q = Portata H = Prevalenza manometrica totale  
Q = Flow rate H = Total manometric head

Tolleranza delle curve di prestazione secondo EN ISO 9906 App. A.  
Tolerance of the performance curves according to EN ISO 9906 App. A.App. A.

## DIMENSIONI E PESI / DIMENSIONS AND WEIGHTS



TIPO TYPE		BOCCHIE PORTS		DIMENSIONI mm DIMENSIONS mm												kg	
1~	3~	DN1	DN2	a	f	h	h1	h2	h3	i	m	n	n1	w	s	1~	3~
PQm 60	PQ 60	1"	1"	22	225	152	108	30	138	78	80	120	100	55	7	5.1	5.1
PQm 65	PQ 65						113		143								
PQm 70	PQ 70				255	180	121		151	83	90	138	112	62		9.7	9.0
PQm 80	PQ 80				255	180	126		153	84	90	138	112	62		9.7	9.0
PQm 81	PQ 81	1/2"	1/2"	18	220	152	118	23	141	71	80	120	100	58	7	6.6	6.2
PQm 81-Bs	PQ 81-Bs																
PQm 90	PQ 90	3/4"	3/4"	22	255	180	126	27	153	84	90	138	112	62	7	9.9	8.8
PQm 100	PQ 100	1"	1"	25	318	212	140	30	170	89	100	164	125	85	9	14.1	12.2
PQm 200	PQ 200																
—	PQ 300															—	15.2

### ⇒ PQ 81 Bs= versione con corpo pompa ottone

- Corpo pompa: ghisa
- Girante: ottone
- Lanterna: brevetto n° IT1243605
- Modello italiano registrato n° 72753

⇒ Consigliate per uso industriale

### ⇒ PQ 81 Bs= version with brass pump body

- Pump body: cast iron
- Impeller: brass
- Motor bracket: patented n° IT1243605
- Registered Italian Design n° 72753

⇒ Suitable for industrial applications